



**JAV22 :**

**Fingertip Joystick**

**Dual Axis & Hall Effect**

## JAV22 Dual Axis Fingertip Joystick

### Technical Information

#### Mechanical Features

Travel angle	about $\pm 25^\circ$
Operating type	Spring return
Break Out force	3N
Operating force (max)	8N
Maximum allowable force	>300N
Expected life	>2Million
Weight	about 143.5g

#### Environmental data

Operating temperature	-30°C ~ +70°C
Storage temperature	-40°C ~ +85°C
Protection level	IP65 ( Above the flange )

#### Electrical data

Power supply	$5 \pm 0.5$ Vdc
Maximum supply current	22mA
Maximum allowable overload voltage	20Vdc
Reverse maximum allowable voltage	-10Vdc
Center output voltage	$2.5 \pm 0.1$ Vdc
Output linearity tolerance	$< \pm 0.2$ V

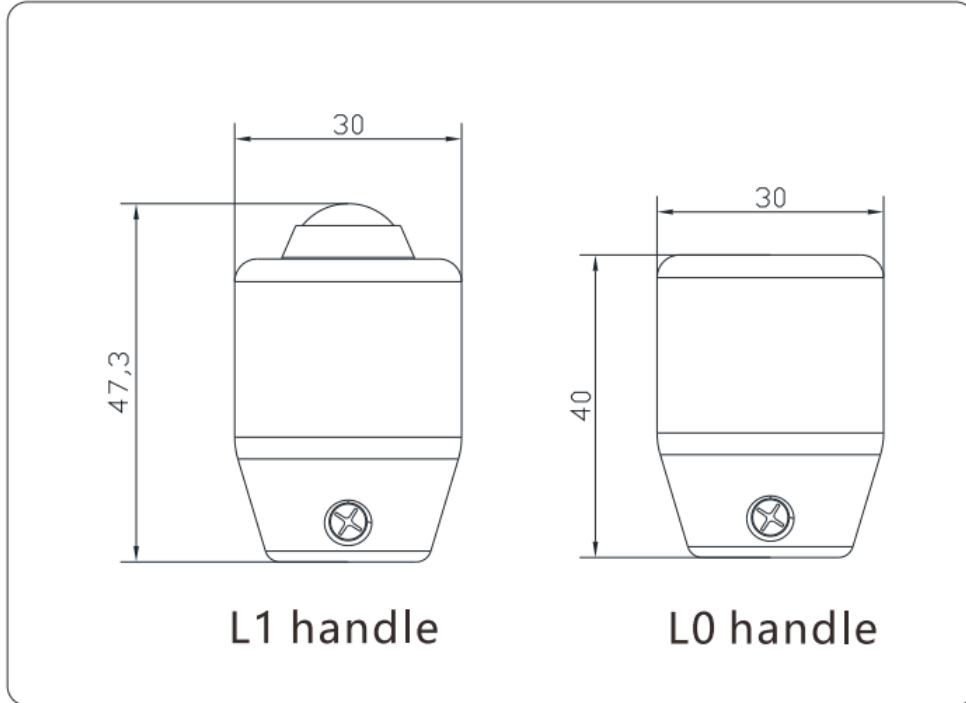


**L0 Handle**



**L1 Handle with Deadman**





### Product Installation

